

HSF

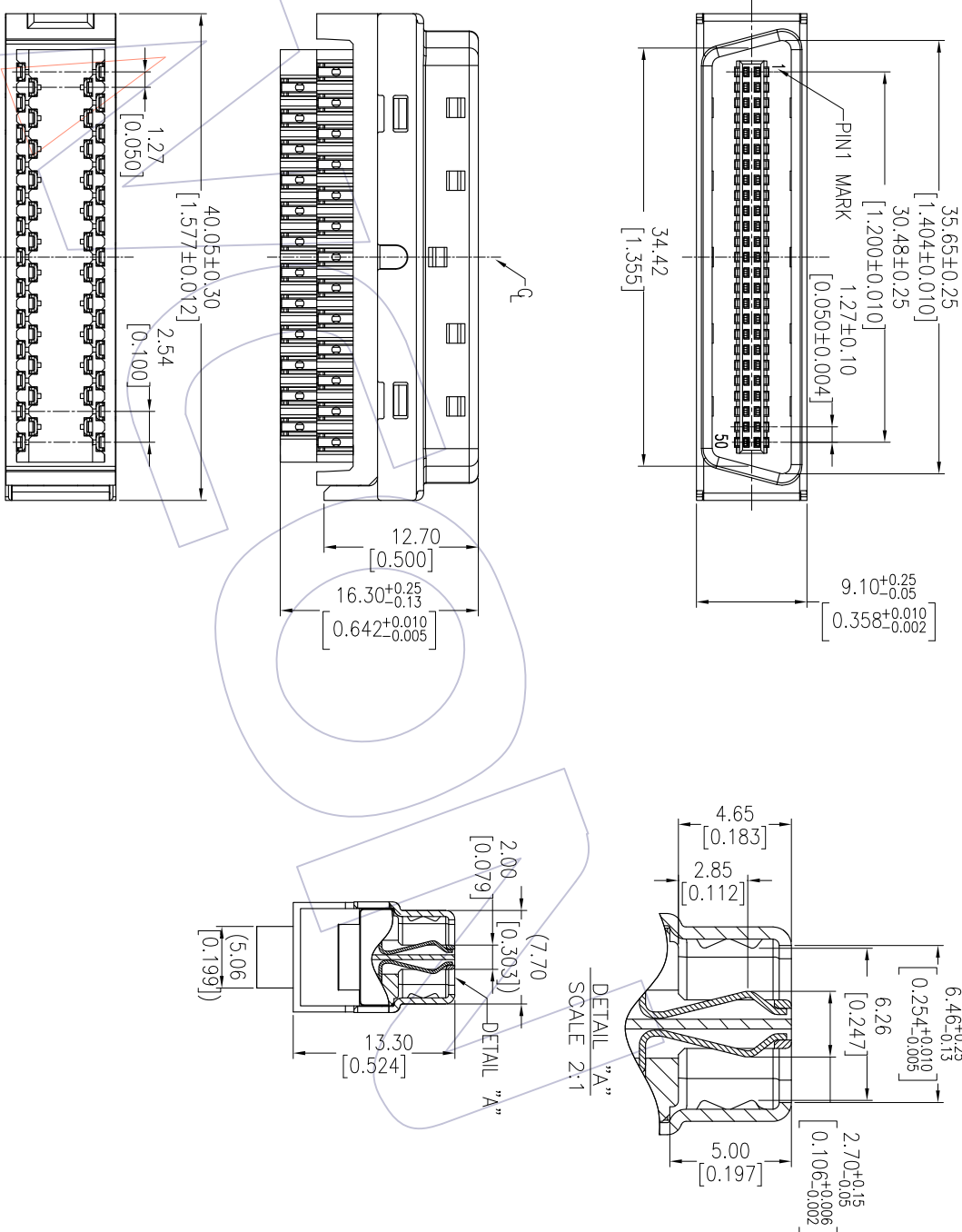
NOTES:
 Current Rating: 1AMP
 Contact Resistance: 35mΩ max
 Withstand Voltage: 500V AC/DC
 Insulation Resistance: 1000MΩ min
 Operation Temperature: -55°C to +85°C

Contact Material: Phosphor Bronze
 Contact plating: Au or Sn over Ni
 Shell Material: SPCC, t=0.50mm
 Housing Material: PA9T+30%GF (UL94V-0)
 Cover Material: LCP+30%GF (UL94V-0)

Ordering Information

6320 - 050 S S XX M N A 01

No. of Pins 50Pm
 Contact Plating
 S1=3u"Gold/Tin
 S4=15u"Gold/Tin
 S5=30u"Gold/Tin
 Packing A=Tray



REV	DATE	MODIFICATION DESCRIPTION	CHANGE	OPERATION		DRAW		SCALE	FIT	PART NO.	TITLE:	WCON	
				XX	±0.40	ZHENG	DATE					UNIT	mm
A0	2016/08/05	NEW		X.XX	±0.25	CHECK	DATE	A4	inch	6320-050SSXXMNA01	1.27mm SCSI 50P Male (Soldering Type)	Tel: +86 769 85358920	Tel: +86 512 57468408
				X.XXX	±0.15	APPROVE	DATE	1/1	1/1		Customer NO.	Fax: +86 769 85358915	Fax: +86 512 57468468
				Angle	± 3°							E-mail: sales@wcon.com	E-mail: sales@wcon.com

WCON

WCON-Dongguan
 Tel: +86 769 85358920
 Fax: +86 769 85358915
 E-mail: sales@wcon.com

WCON-Kunshan
 Tel: +86 512 57468408
 Fax: +86 512 57468468
 E-mail: sales@wcon.com